

JUN 23 2003  
PATENT & TRADEMARK OFFICE

4/22

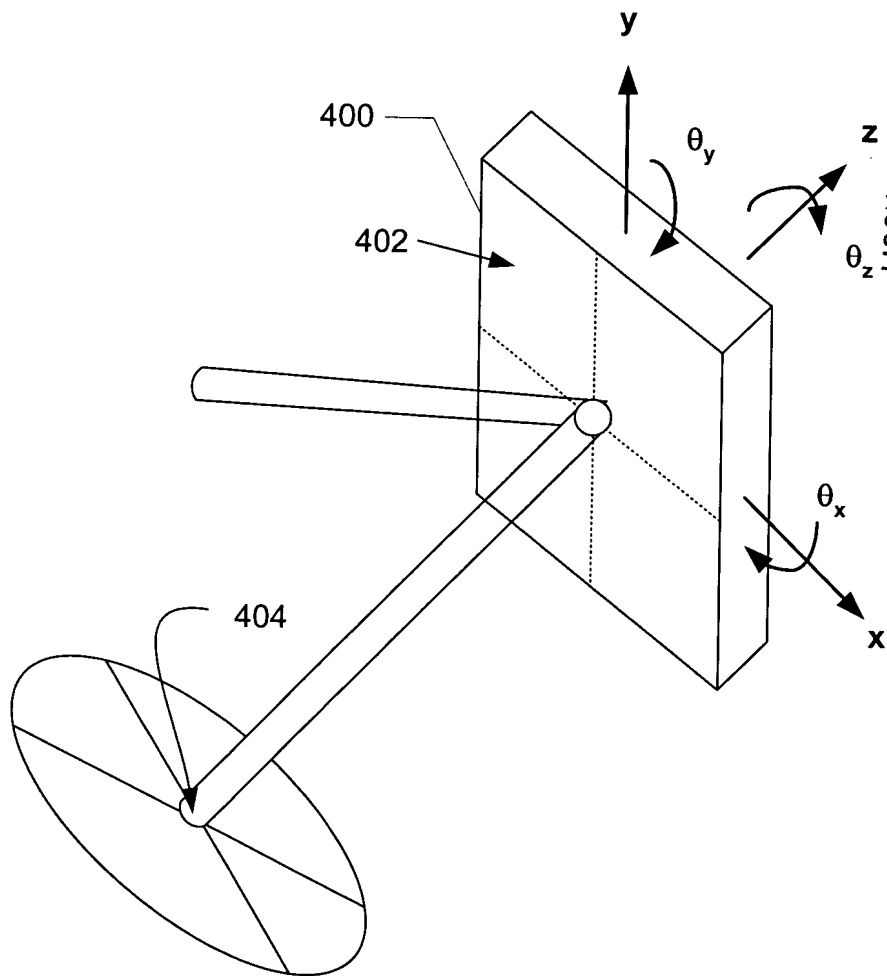


FIG. 4 (Prior Art)